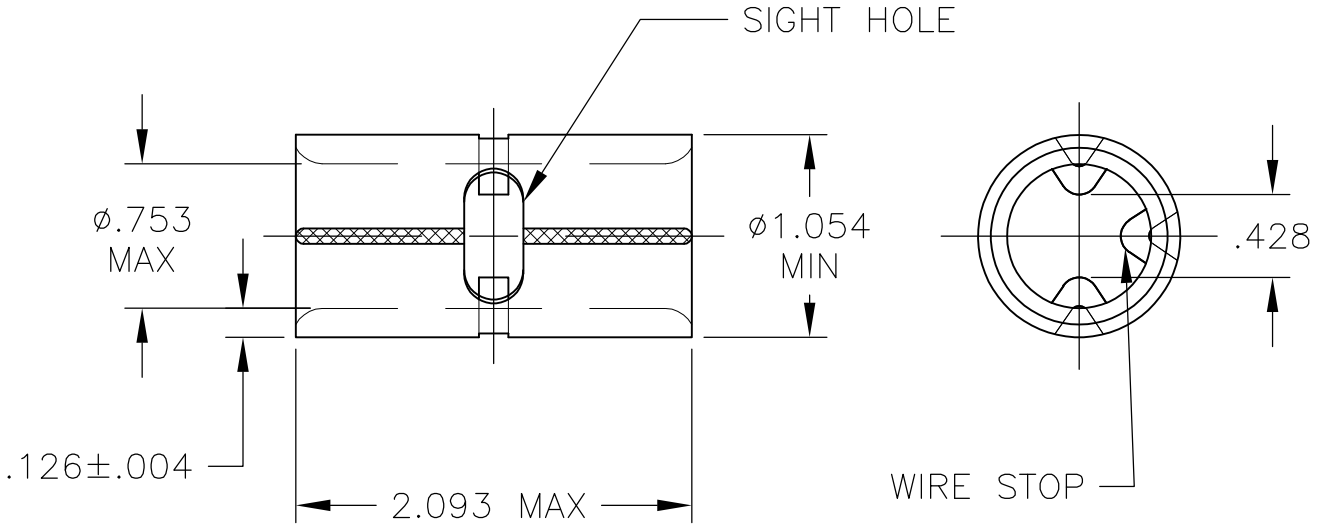


| | | | | | |
|----------|------------|---------------------------|---------|-----|------|
| LOC G | DIST 14 | REVISIONS | | | |
| P | LTR | DESCRIPTION | DATE | DWN | APVD |
| | D1 | REVISED PER ECR-08-022483 | 26SEP08 | HMR | JR |



MATERIAL: COPPER PER ASTM B152, ANNEALED



THIS DRAWING IS UNPUBLISHED.

ALL INTERNATIONAL RIGHTS RESERVED. BY TYCO ELECTRONICS CORPORATION.

| | |
|--|-----------------------|
| NICKEL (QQ-N-290) .000650 MIN THK | 1-322279-0 |
| TN PL (ASTM-B545)TYPE I | 322279 |
| FINISH | PART NO |

| | | | | | | |
|--|----------------------------|---------|---|-----------|------------|---------------|
| DIMENSIONS: INCHES | DWN RAGHAVENDRA | 26SEP08 | MATERIAL | 1 | FINISH | SEE TABLE |
| | CHK JEFF RUTH | 26SEP08 | Tyco Electronics Corporation Harrisburg, PA 17105-3608 | | | |
| TOLERANCES UNLESS OTHERWISE SPECIFIED: | APVD Michielutti Thomas | 26SEP08 | | | | |
| 0 PLC ± - | PRODUCT SPEC | | NAME WIRE SPLICE SOLISTRAND- BUTT | | | |
| 1 PLC ± - | APPLICATION SPEC | | WIRE SIZE: 250-300 MCM | | | |
| 2 PLC ± - | WEIGHT | | SIZE | CAGE CODE | DRAWING NO | RESTRICTED TO |
| 3 PLC ± .008 | - | | A4 | 00779 | C-322279 | - |
| 4 PLC ± - | - | | CUSTOMER DRAWING | | | |
| ANGLES ± 5' | - | | SCALE | 1:1 | SHEET | 1 OF 1 |
| | - | | REV D1 | | | |